

## Bifold Door and Window

---

Section Details : BX Frame, Outswing, 3L, 6-9/16 Jamb

Section Details : BX Frame, Outswing, 2L2R, Minimum 5-1/4 Jamb

Section Details : BX Frame, Inswing, 3L, 6-9/16 Jamb

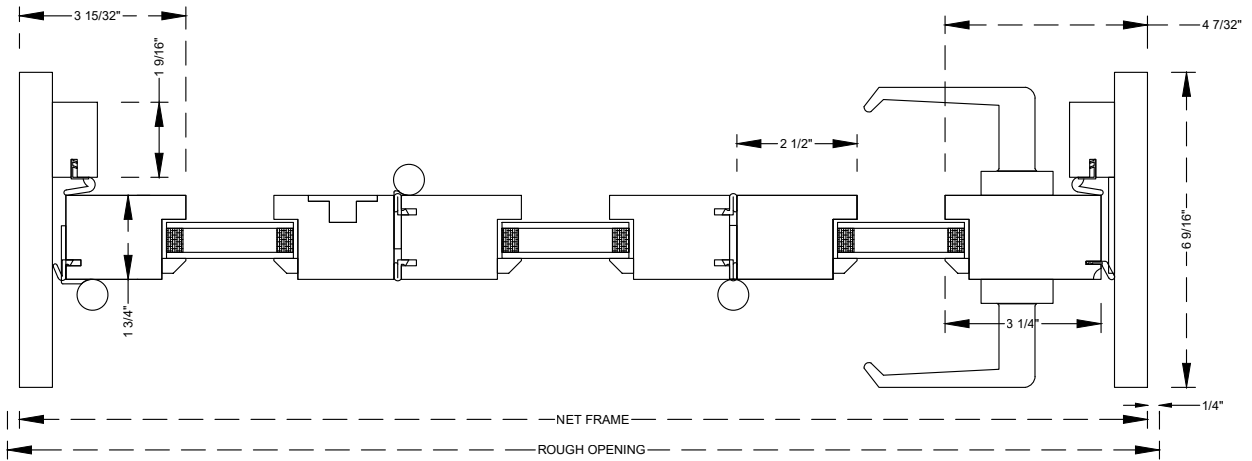
Section Details : Astragal Detail

Section Details : Sill Types

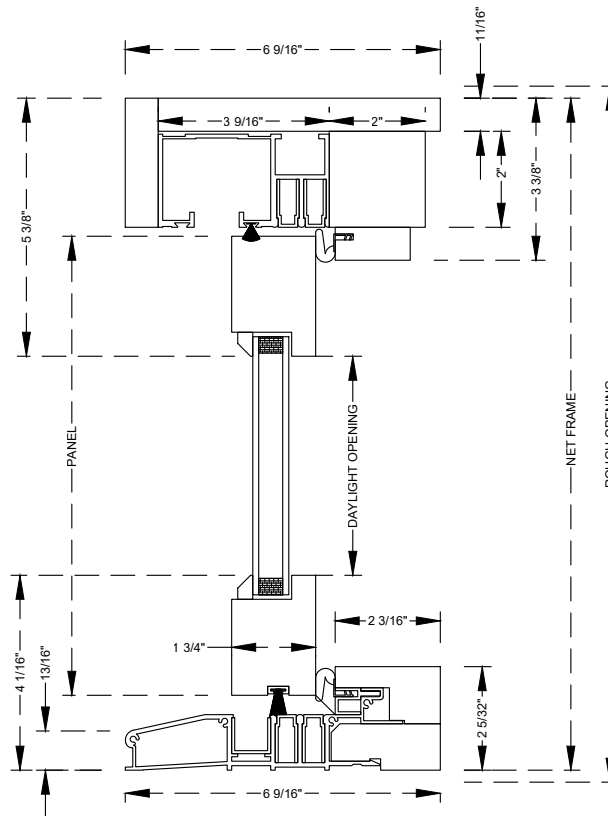
# Bifold Door and Window

## Section Details : BX Frame, Outswing, 3L, 6-9/16" Jamb

SCALE: 3" = 1'-0"



### Jambs



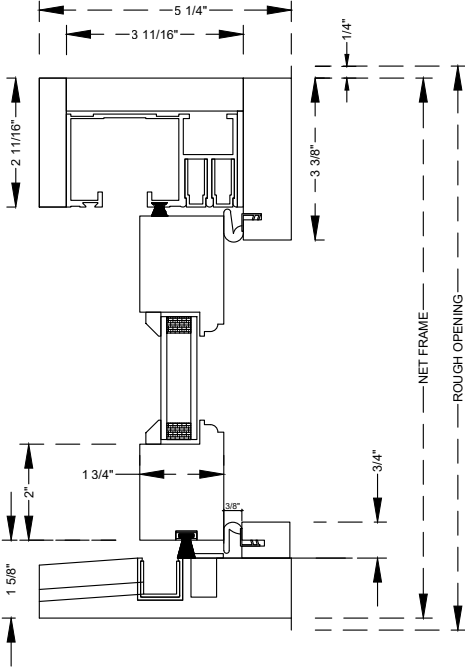
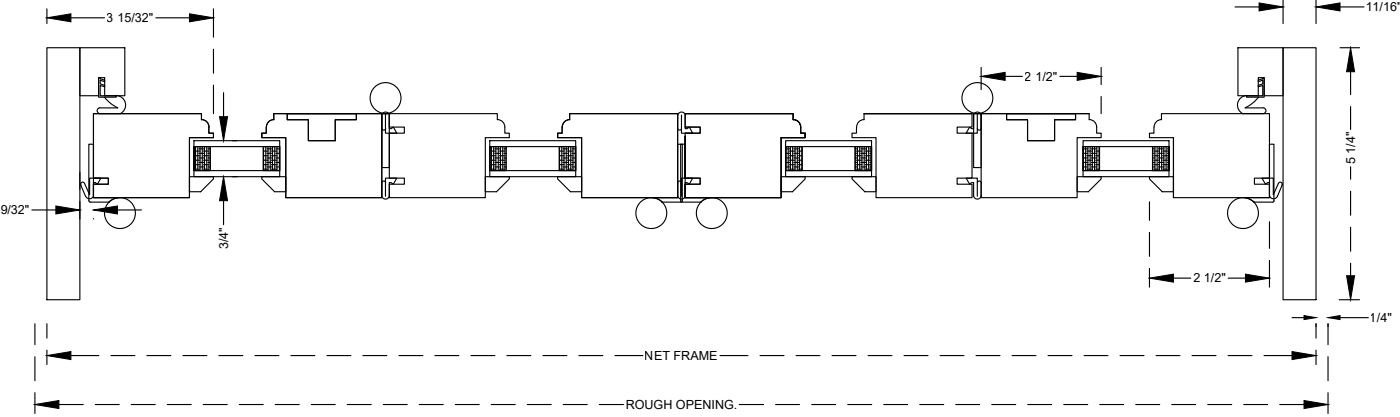
### Head & Sill

# Bifold Door and Window



Section Details : BX Frame, Outswing, 2L2R, Minimum 5-1/4" Jamb\*

SCALE: 3" = 1'-0"



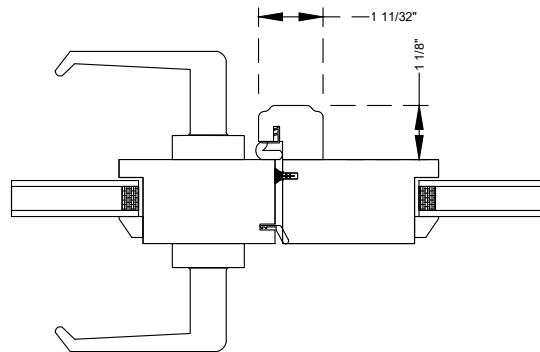
\*Minimum Jamb requires wood sill



# Bifold Door and Window

## Section Details : Astragal Detail

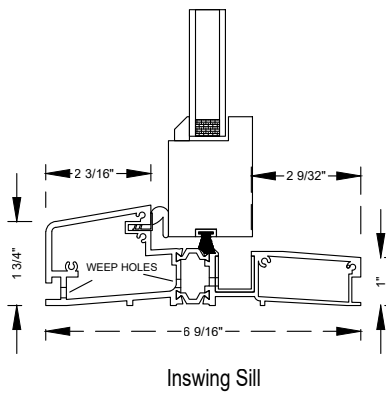
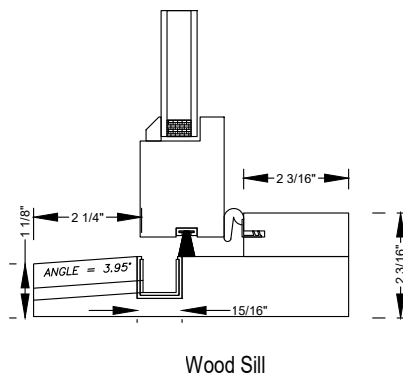
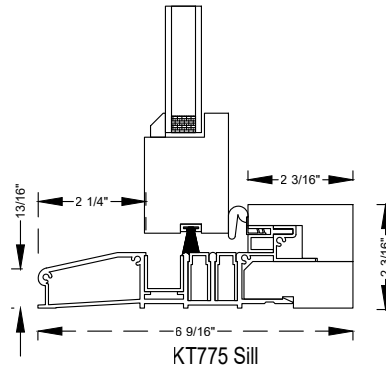
SCALE: 3" = 1'-0"



# Bifold Door and Window

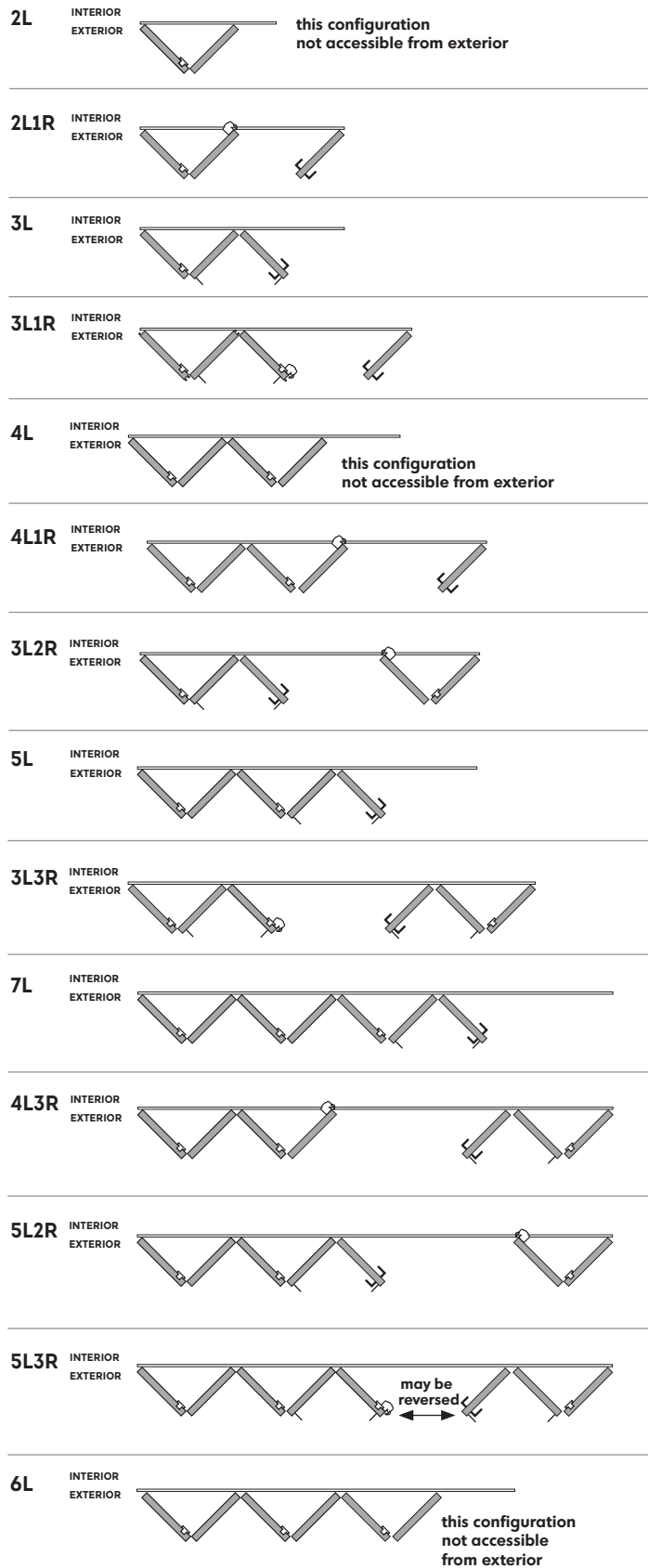
## Section Details : Sill Types

SCALE: 3" = 1'-0"



## Door Configurations

### FROM LEFT TO RIGHT



## Door Configurations

### FROM LEFT TO RIGHT

