

Double Hung, Jamb Liner

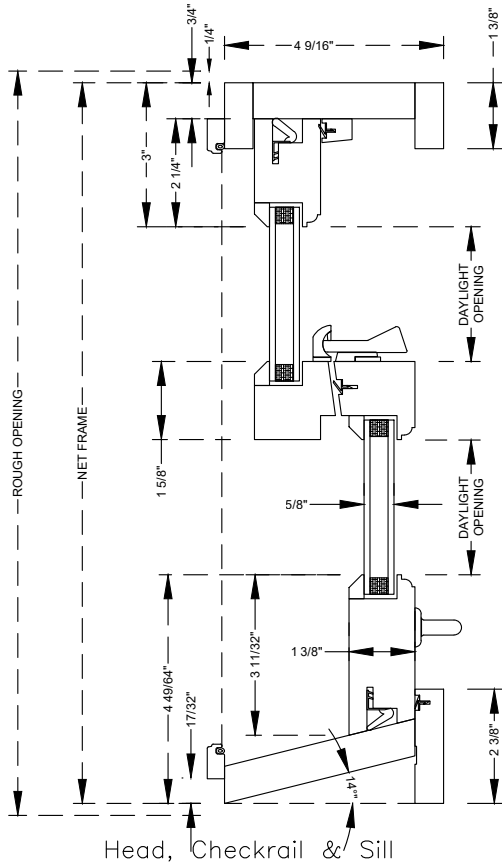
Section Details : Operating/Stationary, 4 9/16" Jamb, Traditional Sash
Section Details : Sash Profiles & SDL Options
Section Details : Mull Sections
Section Details : Sill Options
Section Details : Exterior Trim Options
Section Details : Nail Fin Options

Double Hung

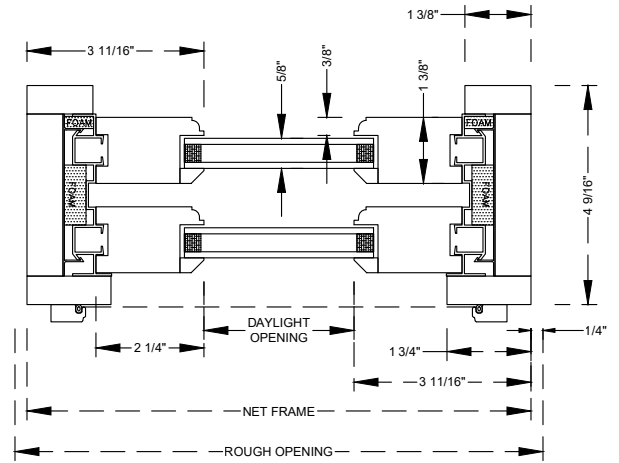
Section Details : Jamb Liner, 4 9/16" Jamb

Traditional Sash
3/8" Long Bead Detail

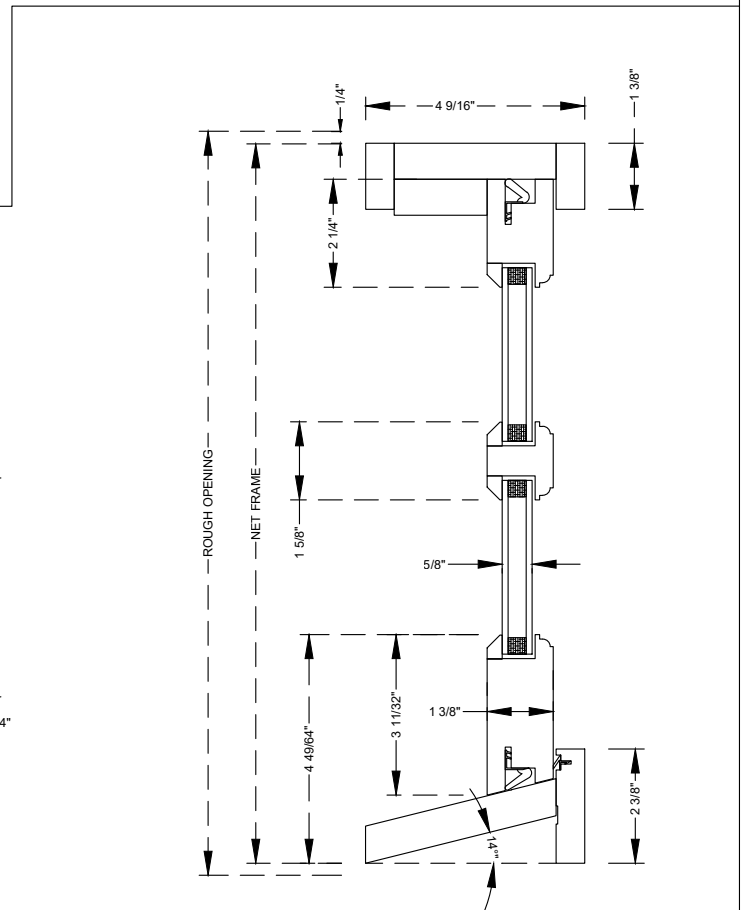
SCALE: 3" = 1'-0"



Operating

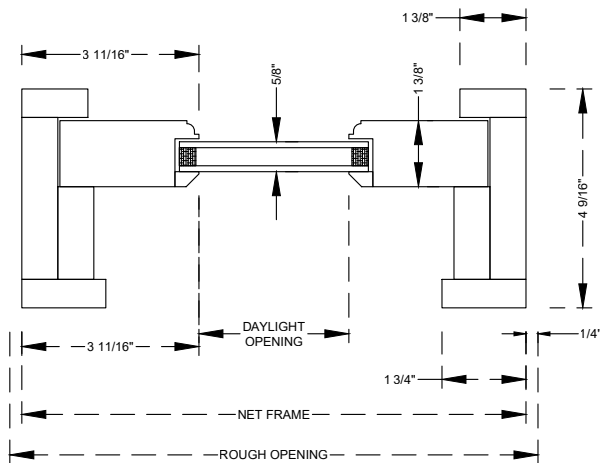


Jamb



Head, TDL & Sill

Stationary

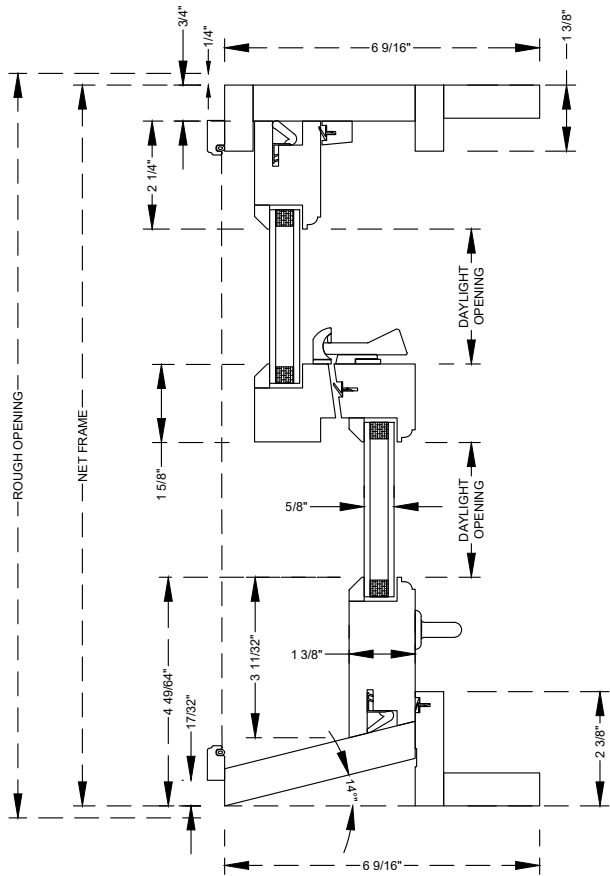


Jamb

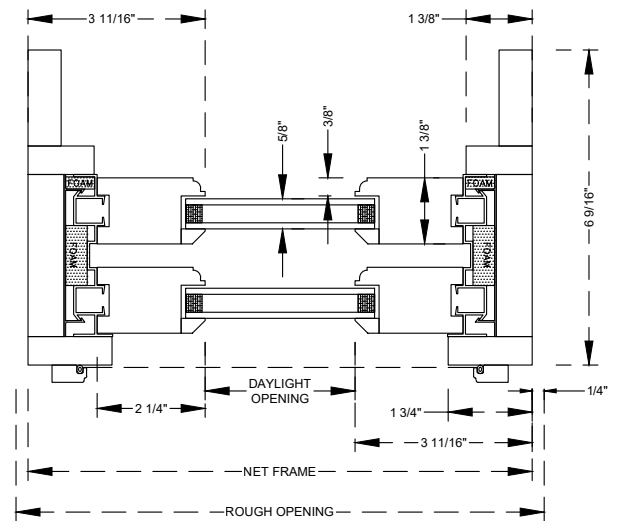
Double Hung

Section Details : Jamb liner, 6-9/16 Jamb

SCALE: 3" = 1'-0"



Head, Checkrail & Sill



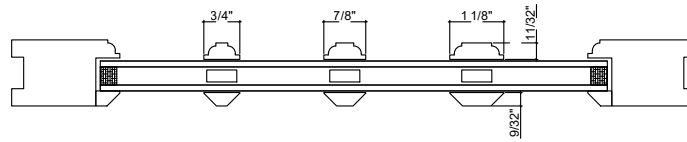
Jamb

Double Hung, Jamb Liner

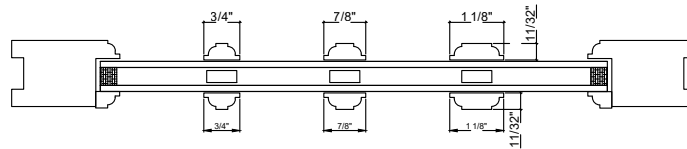
Section Details : Sash Profiles & SDL Options

SCALE: 3" = 1'-0"

Sash Profiles & SDL Options



3/8" Long Bead Interior/Bevel Bead Exterior

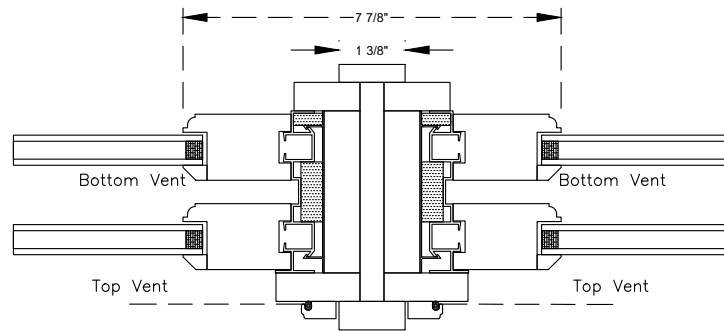


3/8" Long Bead Interior/Long Bead Exterior

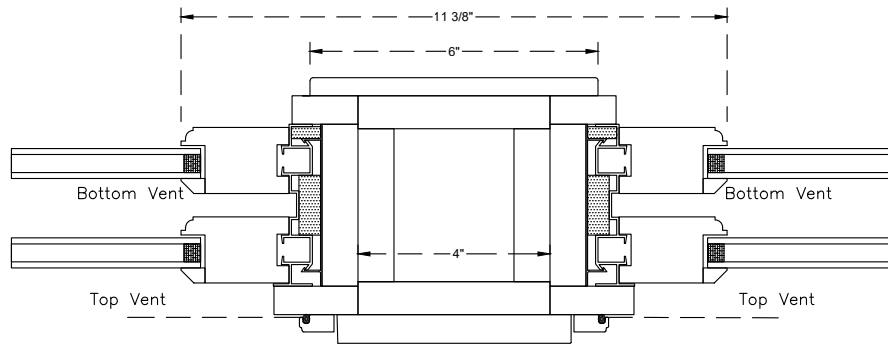
Double Hung, Jamb Liner

Section Details : Mull Sections

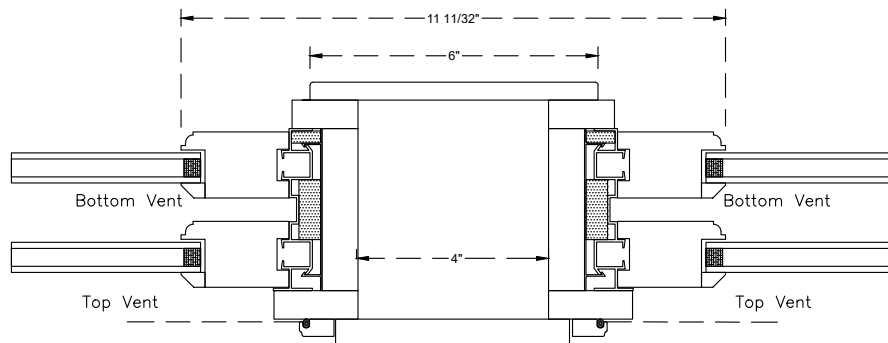
SCALE: 3" = 1'-0"



Standard Stack Mull



4" Spread Mull

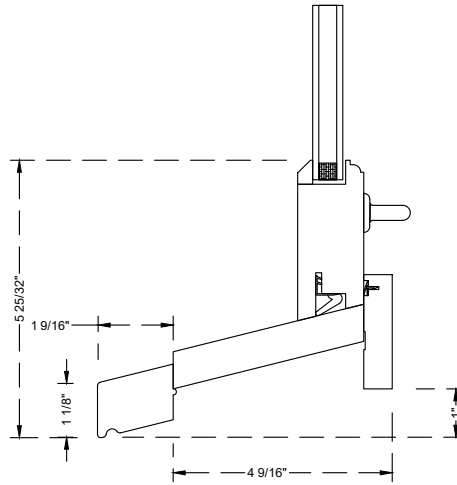


4" Space Mull

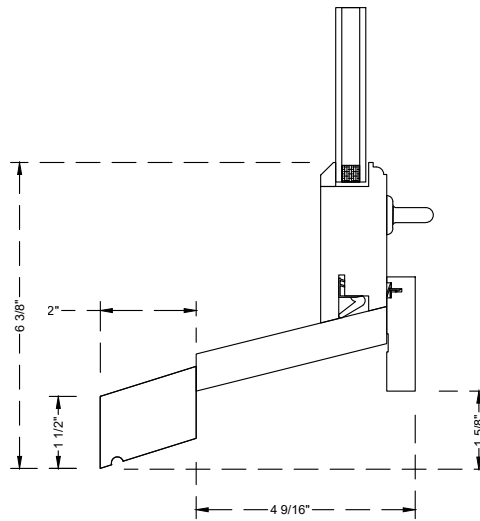
Double Hung, Jamb Liner

Section Details : Sill Options

SCALE: 3" = 1'-0"



Standard Subsill (2814)

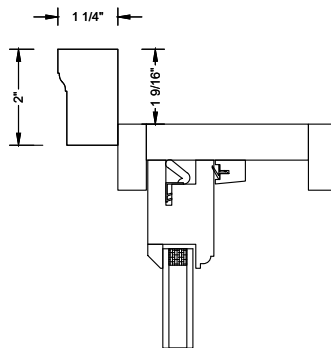


True Subsill Match (2816)

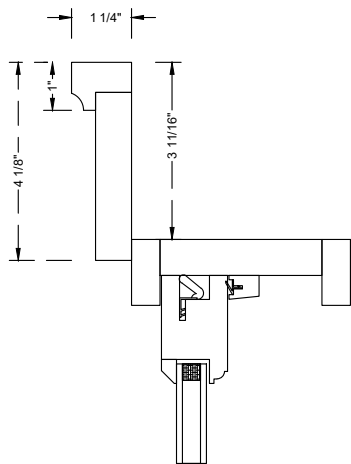
Double Hung, Jamb Liner

Section Details : Exterior Trim Options

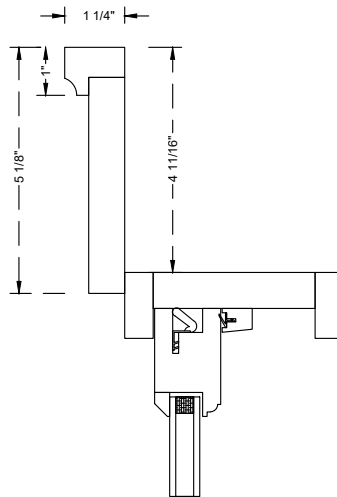
SCALE: 3" = 1'-0"



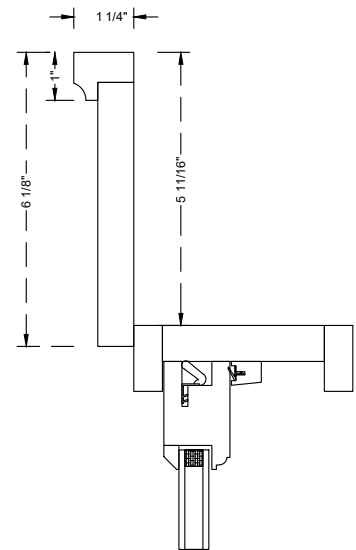
Brickmold Casing



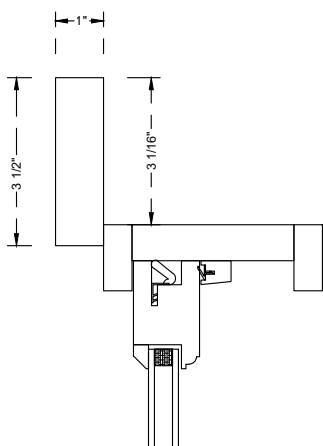
1 x 4 Casing w/ Backband



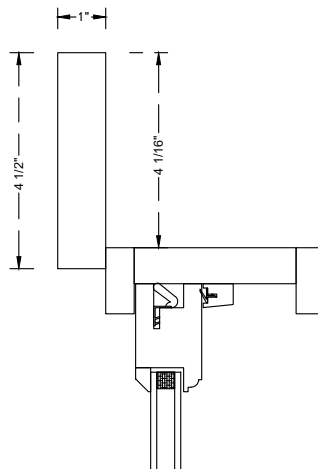
1 x 5 Casing w/ Backband



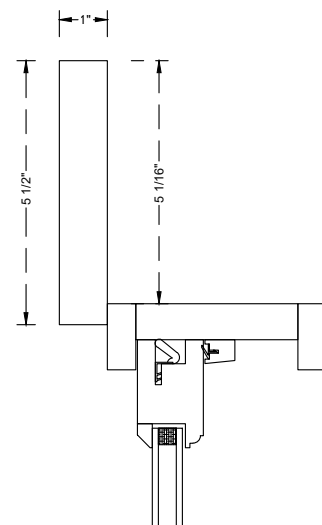
1 x 6 Casing w/ Backband



5/4 x 4 Casing



5/4 x 5 Casing



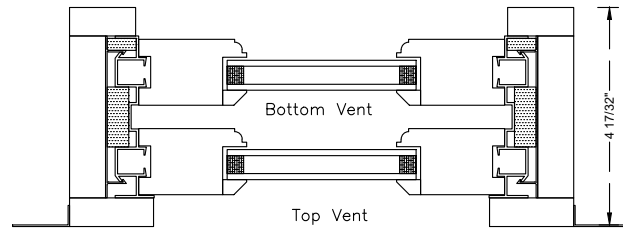
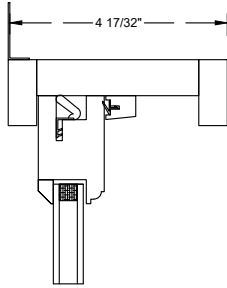
5/4 x 6 Casing

Double Hung, Jamb Liner

Section Details : Nail Fin Options

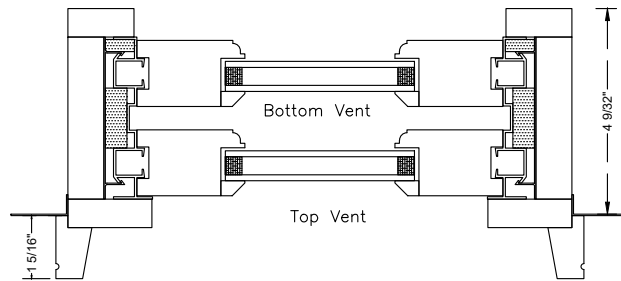
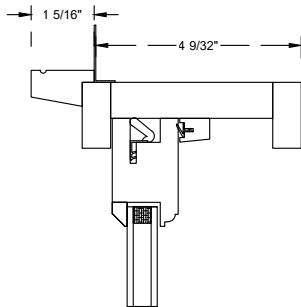
SCALE: 3" = 1'-0"

Flush Fin



1 5/16 Setback Nail Fin*

*Not compatible with brickmold or subsills



Nailfin applied to head and sides only