

Cam Casement

- Section Details : Operating/Stationary, 4 9/16" Jamb, Contemporary Sash
- Section Details : Operating/Stationary, 4 9/16" Jamb, Traditional Sash
- Section Details : Big Bottom Rail
- Section Details : Sash Profiles & SDL Options
- Section Details : Mull Sections
- Section Details : Mull Sections with Direct Set Pictures
- Section Details : French Casement Interlock Options
- Section Details : Sill Options
- Section Details : Frame Options
- Section Details : Exterior Trim Options
- Section Details : Screen Options
- Section Details : Nail Fin Options

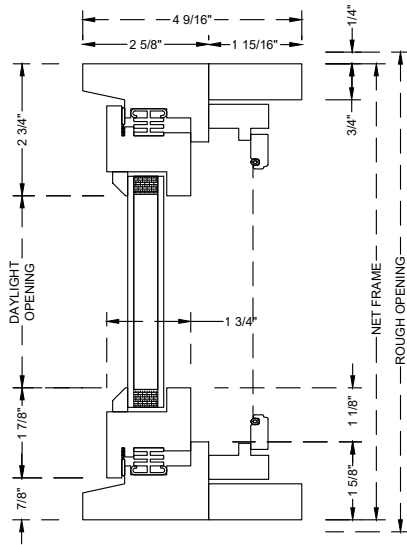
Cam Casement

Section Details : C2 Frame, 4 9/16" Jamb

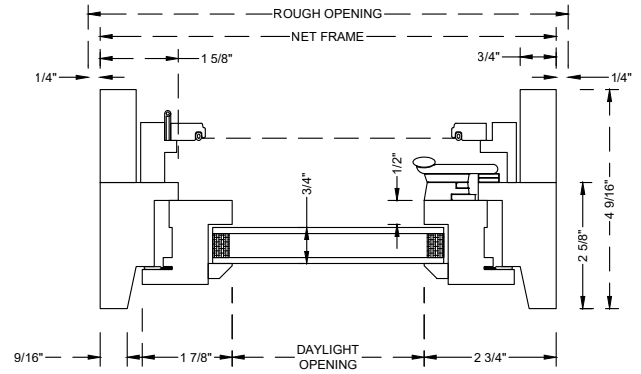
Contemporary Sash
Square Detail

SCALE: 3" = 1'-0"

Operating

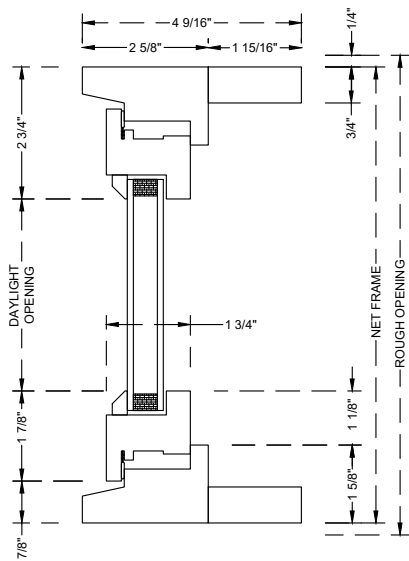


Head Jamb & Sill

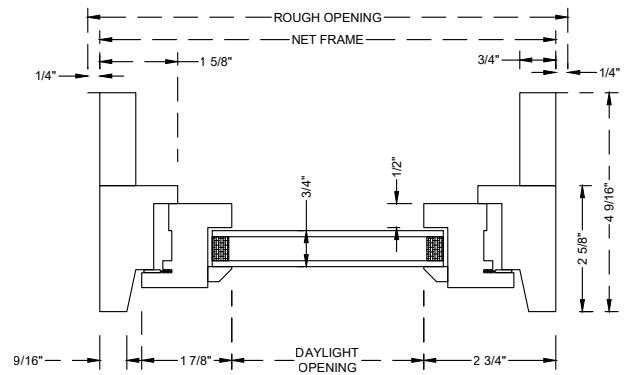


Jamb

Fixed Sash



Head Jamb & Sill



Jamb

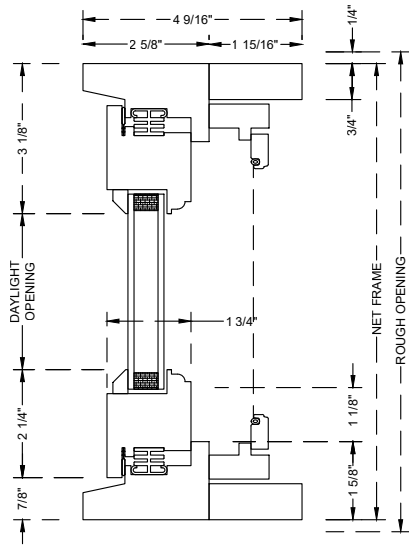
Cam Casement

Section Details : C2 Frame, 4 9/16" Jambs

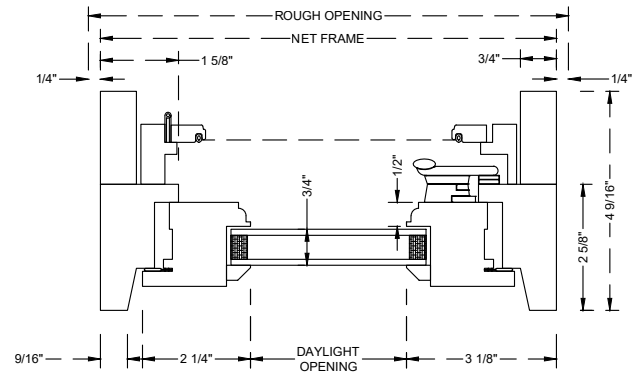
SCALE: 3" = 1'-0"

Traditional Sash
1/2" Long Bead Detail

Operating

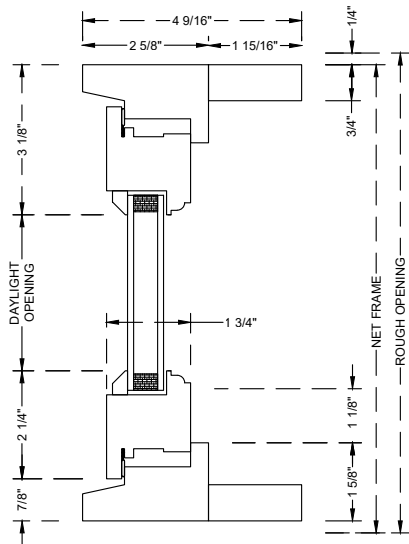


Head Jamb & Sill

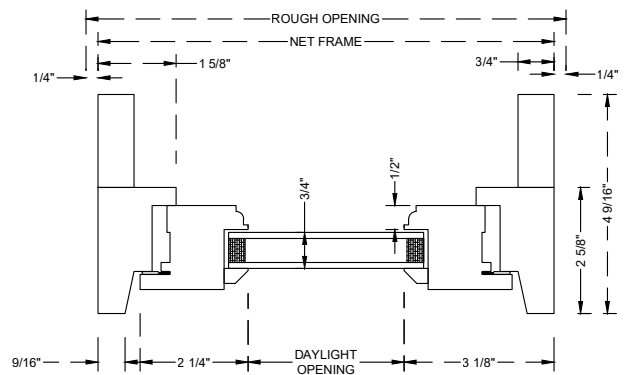


Jambs

Fixed Sash



Head Jamb & Sill

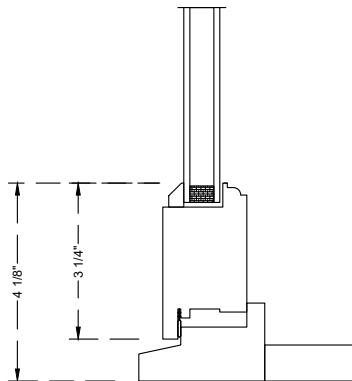


Jambs

Cam Casement

Section Details : Big Bottom Rail Option

SCALE: 3" = 1'-0"



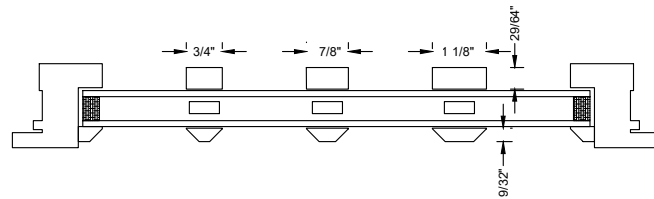
Big Bottom Rail

Cam Casement

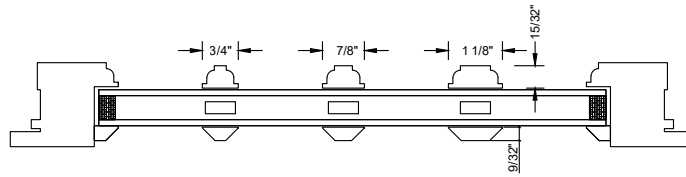
Section Details : Sash Profiles & SDL Options

SCALE: 3" = 1'-0"

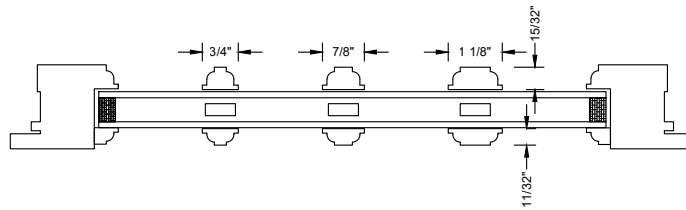
Sash Profiles & SDL Options



Square Detail Interior/Bevel Bead Exterior



1/2" Long Bead Interior/Bevel Bead Exterior



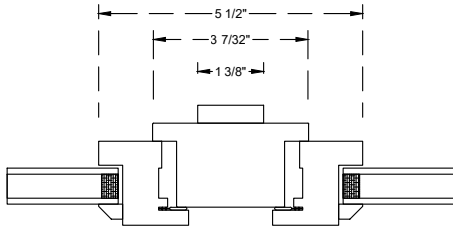
1/2" Long Bead Interior/Long Bead Exterior

Cam Casement

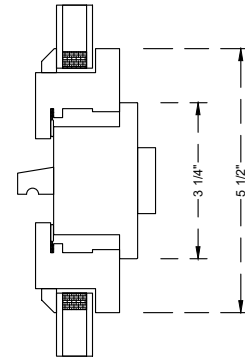
Section Details : Mull Sections

SCALE: 3" = 1'-0"

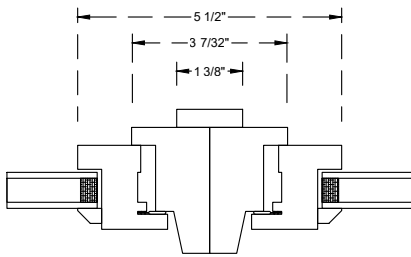
Contemporary Sash
Square Detail



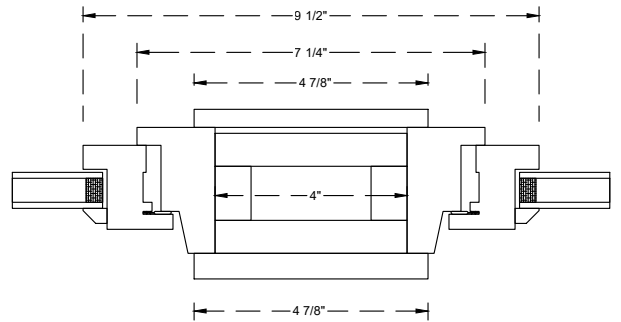
Standard Vertical T-Mull



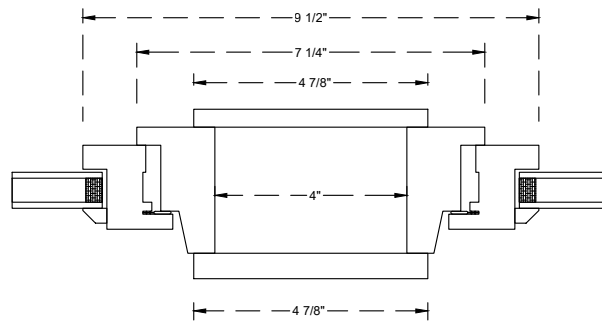
Standard Horizontal T-Mull



Direct Stack Mull



4" Spread Mull



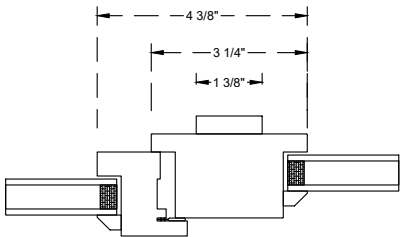
4" Space Mull

Cam Casement

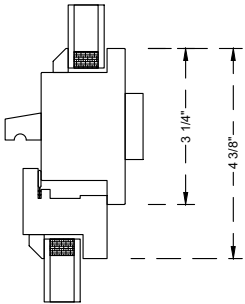
Section Details : Mull Sections with Direct Set Pictures

SCALE: 3" = 1'-0"

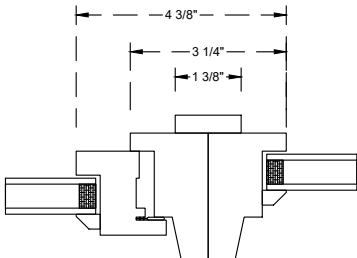
Contemporary Sash
Square Detail



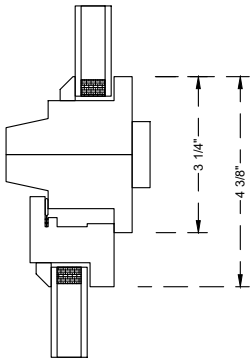
Standard Vertical T-Mull



Standard Horizontal T-Mull



Direct Stack Vertical Mull



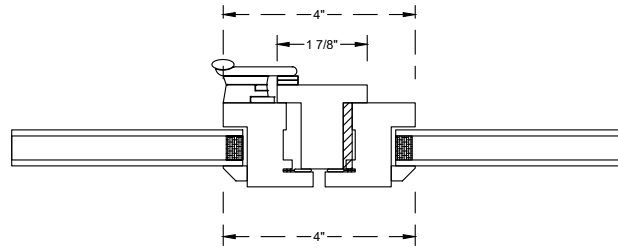
Direct Stack Horizontal Mull

Cam Casement

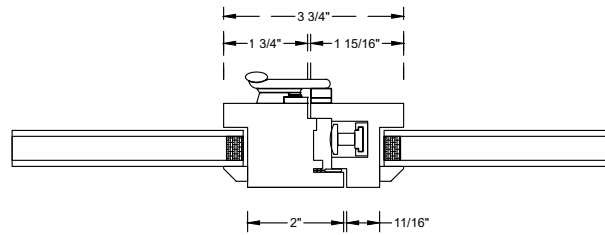
Section Details : French Casement Interlock

SCALE: 3" = 1'-0"

Contemporary Sash
Square Detail

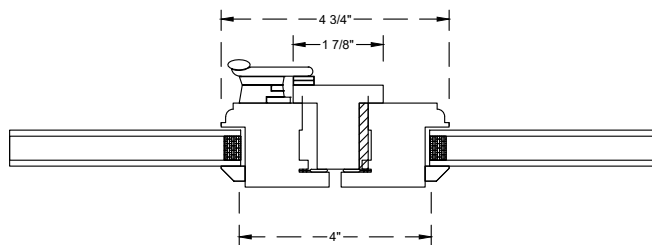


Floating Astragal

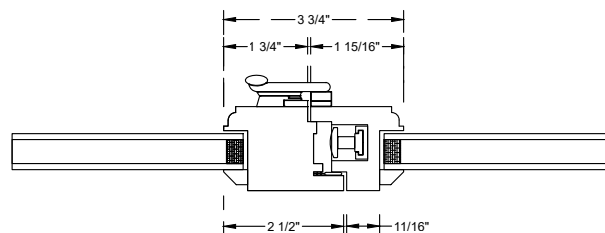


Interlocking

Traditional Sash
1/2" Long Bead Detail



Floating Astragal



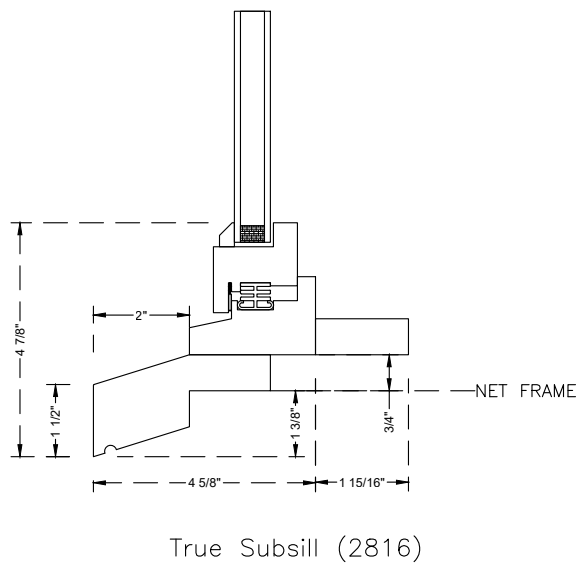
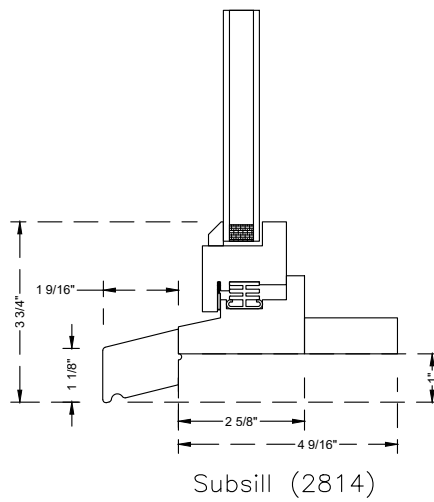
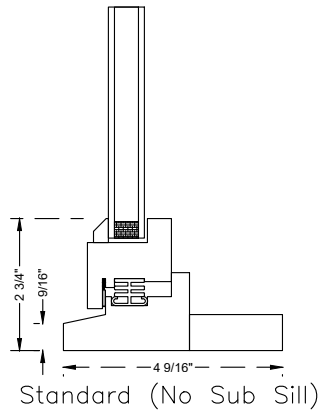
Interlocking

Cam Casement

Section Details : Sill Options

Contemporary Sash
Square Detail

SCALE: 3" = 1'-0"

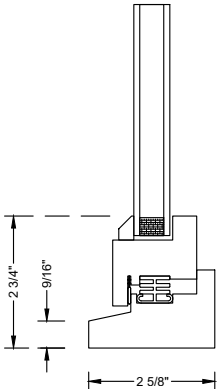


Cam Casement

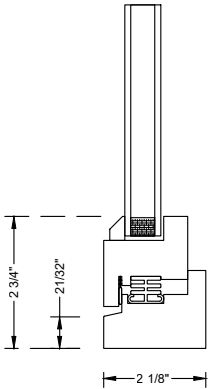
Section Details : Frame Options

SCALE: 3" = 1'-0"

Standard C2



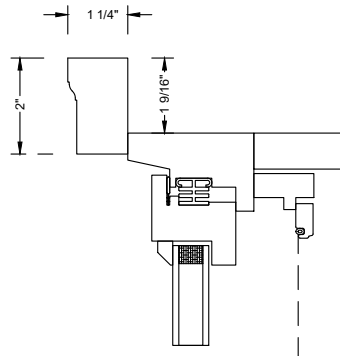
C2 Modified



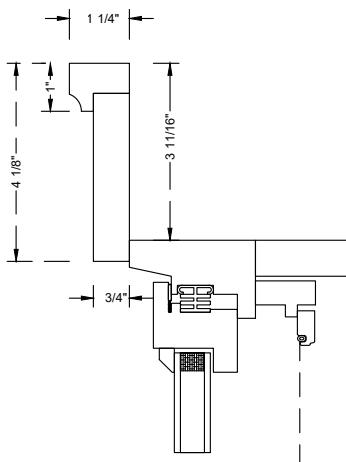
Cam Casement

Section Details : Exterior Trim Options

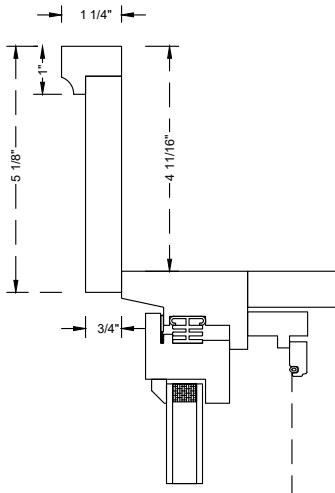
SCALE: 3" = 1'-0"



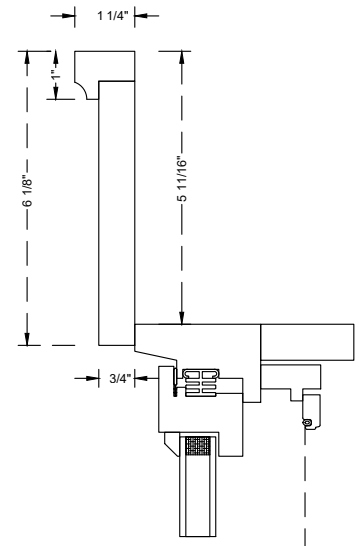
Brickmold Casing



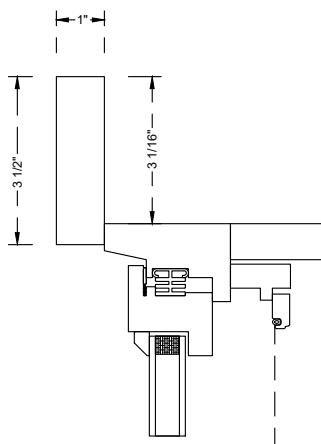
1 x 4 Casing w/ Backband



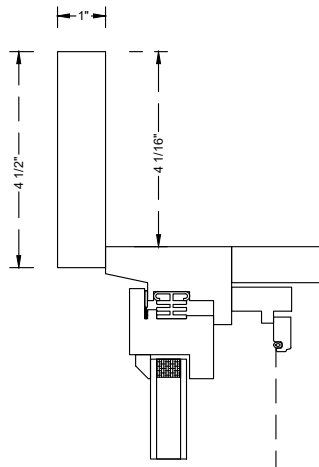
1 x 5 Casing w/ Backband



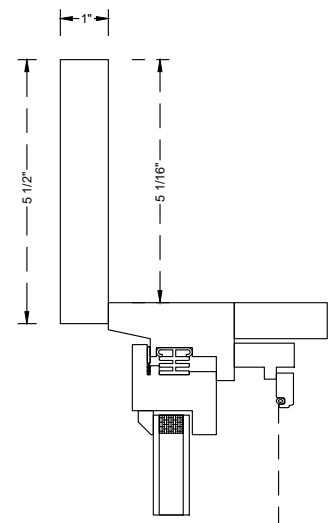
1 x 6 Casing w/ Backband



5/4 x 4 Casing



5/4 x 5 Casing



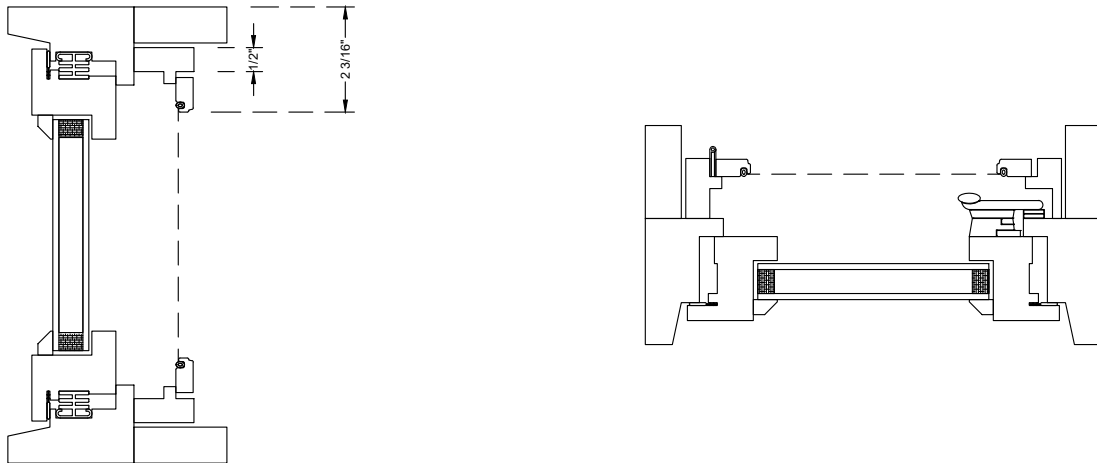
5/4 x 6 Casing

Cam Casement

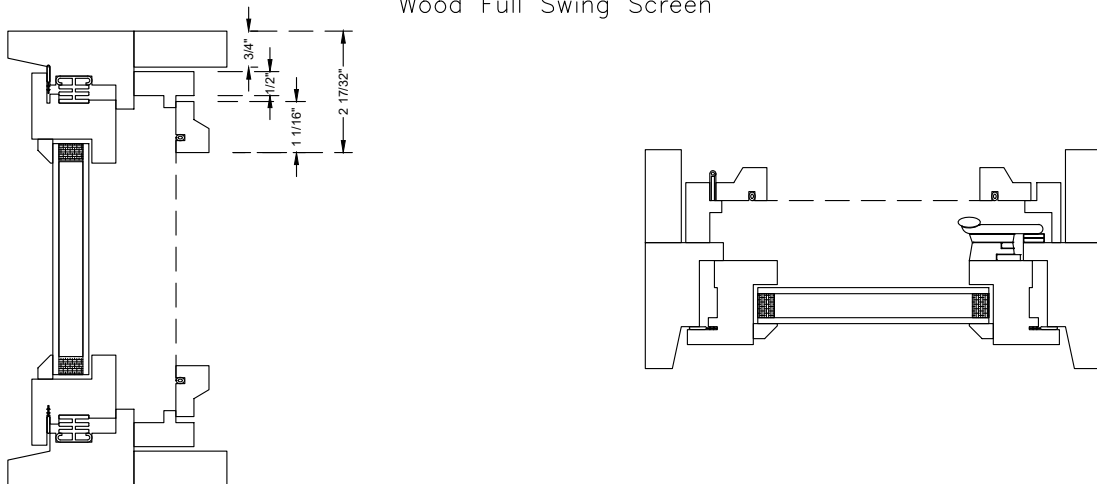
Section Details : Screen Options

SCALE: 3" = 1'-0"

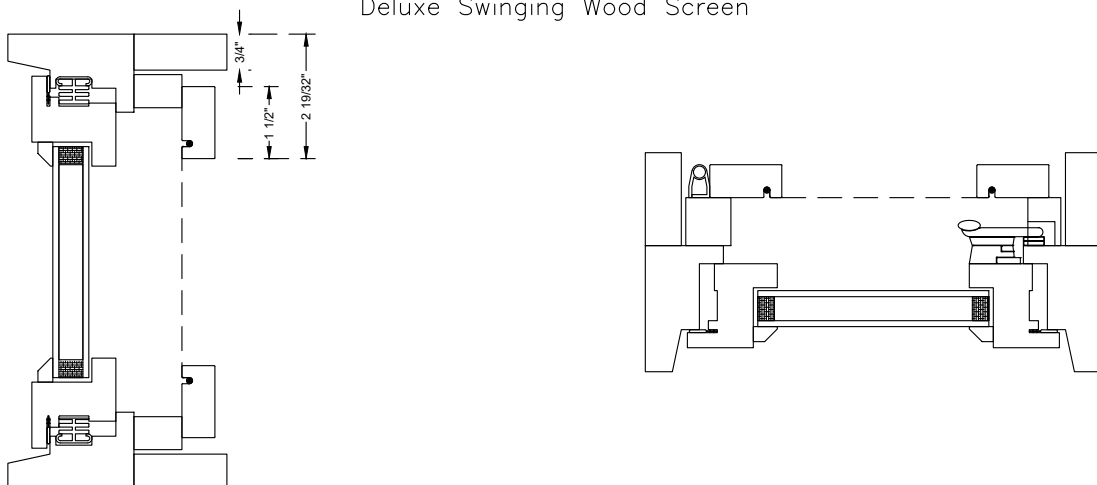
Full Swing Screen (Standard)



Wood Full Swing Screen



Deluxe Swinging Wood Screen

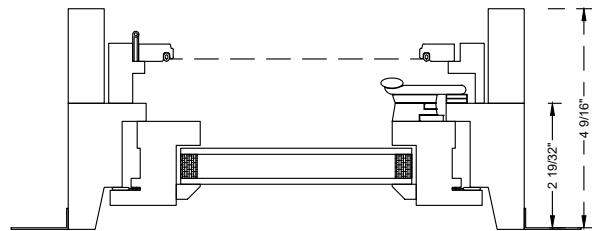
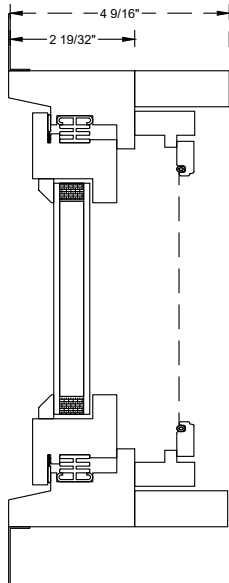


Cam Casement

Section Details : Nail Fin Options

SCALE: 3" = 1'-0"

Flush Fin



1 3/8 Setback Nail Fin*

*Not compatible with brickmold or subsills

